

THIS IS THE GOLD, SILVER and WATER HEATER SERVICE PLAN BROCHURE

Your burner and controls will be thoroughly inspected and serviced in accordance with these procedures, used by the Company to insure maximum, worry free heating efficiency. Customers are requested to call well in advance to avoid delays in scheduling tune-ups.

- ▲ Adjust draft regulator
- ▲ Check & flush low water cutoff (LWCO)*

*Homeowners with steam heat are required to flush LWCO weekly in season.

- ▲ Check ignition system
- ▲ Clean or replace burner nozzle
- ▲ Lubricate burner motor
- ▲ Clean & adjust electrodes, fan & pump
- ▲ Check smoke pipe and combustion chamber
- ▲ Change oil filter
- ▲ Adjust & test controls
- ▲ Replace or clean air filter (1 standard set)
- ▲ Efficiency test

ADDED COVERAGE PROVIDED UNDER SILVER PLAN:

FUEL OIL STORAGE TANK COVERAGE: An allowance of \$500 is made toward our replacement of a leaking inside oil storage tank.

ADDED COVERAGE PROVIDED UNDER GOLD PLAN:

FUEL OIL STORAGE TANK COVERAGE: An allowance of \$750 is made toward our replacement of a leaking inside oil storage tank.

BOILER COVERAGE: An allowance of \$750 will be made towards our replacement of a leaking boiler.

WARM AIR FURNACE COVERAGE: An allowance of \$500 will be made towards our replacement of a heat exchanger or furnace, if necessary, which has developed a leaking heat exchanger.

OPTIONAL WATER HEATER COVERAGE: Your oil fired water heater or indirect storage tank will be thoroughly cleaned and inspected in accordance with procedures used by the Company to insure maximum, worry free efficiency. Under the optional coverage there will be no charge for the repair or our replacement of the following parts of your water heater when they become defective due to normal wear and use.

Aquastat	Delayed oil valves	Nozzle adapter
Blast tube	Electrode assembly	Nozzle assembly
Burner coupling	Electrodes	Oil burner fan
Burner end cone	Emergency switch	Oil burner motor
Cad cell	Firomatic thermal switch	Oil burner nozzle
Cad cell holder	Fuel oil cartridge	Oil burner pump
Cad cell relay	Ignition transformer	Oil burner strainer
Circulator Pump (Complete) 1 per year	Ignition cables	Stack relay
		Temp/pressure relief valves

PLEASE PHONE OUR CUSTOMER SERVICE DEPT. FOR THE PRICES OF THE RESPECTIVE PLANS SHOWN.

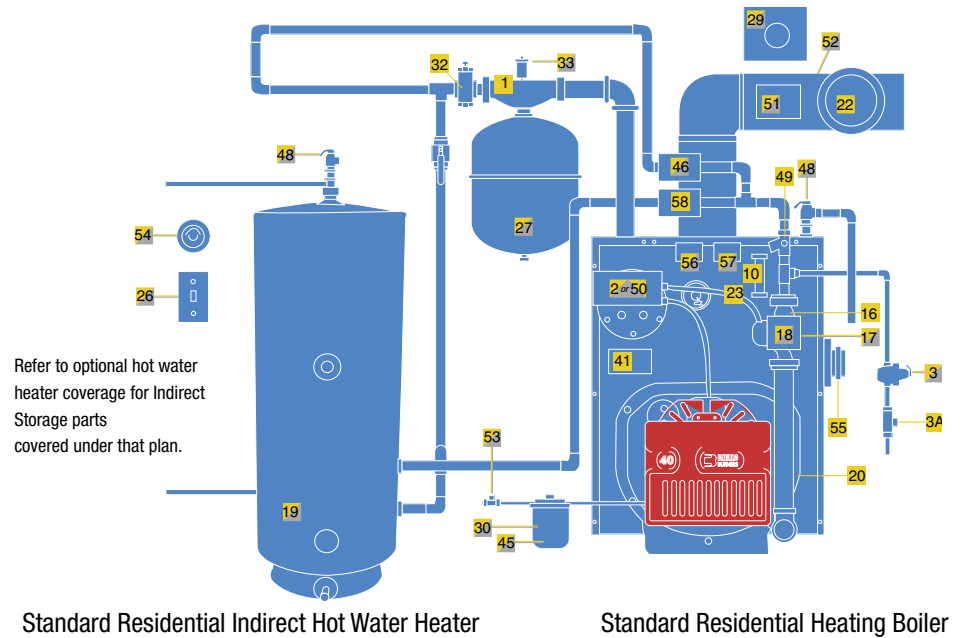
PARTS & LABOR COVERAGE (for repair or replacement)

■ COVERED BY SILVER & GOLD POLICIES ■ COVERED BY GOLD ONLY

- | | |
|---|--|
| ■ 1 Air scoop | ■ 34 Ignition transformer |
| ■ 2 Aquastat | ■ 35 Ignition cables |
| ■ 3 Automatic feeder (non-steam) | ■ 36 Humidifier pad |
| ■ 3A Back Flow Preventer | ■ 37 Nozzle adapter |
| ■ 4 Blast tube | ■ 38 Nozzle assembly |
| ■ 5 Blower bearings | ■ 39 Oil burner fan |
| ■ 6 Blower complete | ■ 40 Oil burner motor |
| ■ 7 Blower fan belt | ■ 41 Mixing valve element |
| ■ 8 Blower motor (up to 1/3 hp) | ■ 42 Oil burner nozzle |
| ■ 9 Blower pulleys | ■ 43 Oil burner pump |
| ■ 10 Boiler gauge glass | ■ 44 Oil burner strainer |
| ■ 11 Burner coupling | ■ 45 Oil filter complete |
| ■ 12 Burner end cone | ■ 46 Power head (1 per year) (Optional Hot Water Coverage) |
| ■ 13 Cad cell | ■ 47 Pressure control |
| ■ 14 Cad cell holder | ■ 48 Boiler Relief Valve (standard) |
| ■ 15 Cad cell relay | ■ 49 Purging valve |
| ■ 16 Circulator (complete 3 max.) | ■ 50 Reverse acting aquastat |
| ■ 17 Circulator coupling | ■ 51 Stack relay |
| ■ 18 Circulator motor (1 per year) | ■ 52 Smoke pipe |
| ■ 19 Boiler Circulator pump complete (1 per year) | ■ 53 Thermal safety valve |
| ■ 20 Combustion chamber (up to 2 gal/hr) | ■ 54 Thermostat (heating only, except non-setback or programmable) |
| ■ 21 Delayed oil valves | ■ 55 Low voltage transformer |
| ■ 22 Draft regulator | ■ 56 Vapor stat |
| ■ 23 Electrical wiring; boiler switch only | ■ 57 Vent alarm (not shown) up to 330-gallon above ground tank |
| ■ 24 Electrode assembly | ■ 58 Zone valve (complete, 3 max.) |
| ■ 25 Electrodes | ■ System 2000 coverage for: |
| ■ 26 Emergency switch | System 2000 Manager |
| ■ 27 Extrol #30 | System 2000 Digital Sensor |
| ■ 28 Fan limit control | System 2000 Dual Aquastat |
| ■ 29 Firomatic switch | System 2000 High Limit |
| ■ 30 Fuel oil cartridge | System 2000 Back Board |
| ■ 31 Fuel oil tank gauge (not shown) up to 330-gallon above ground tank | System 2000 Pac-Man |
| ■ 32 Flow check valve | |
| ■ 33 High vent(s) (1 per year) | |

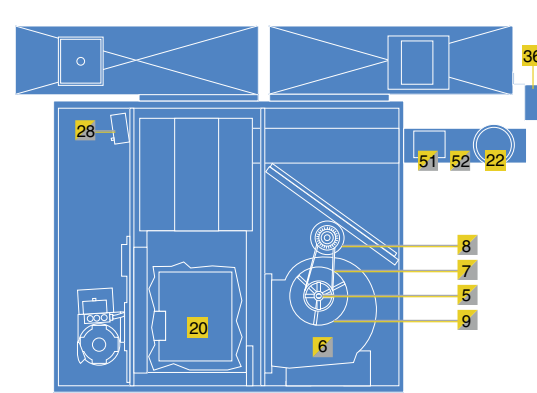
THESE ADDITIONAL PARTS ARE COVERED BY BOTH THE SILVER AND GOLD PLANS:

- | | |
|-----------------------------------|-------------------------------|
| Blower Squirrel Cage | Porcelain Ignition Insulators |
| Nozzle Line | Burner Flange Gasket |
| Oil Burner Bulkhead Fitting & Nut | Universal Burner Flange |
| Ignition Transformer Terminals | Draft Safety Switch |
| Oil Burner Pump Gasket | Boiler Gauge |
| Oil Burner Static Plate | Boiler Drain Cap |
| Fuel Oil Gasket | Circulator Pump Assembly |

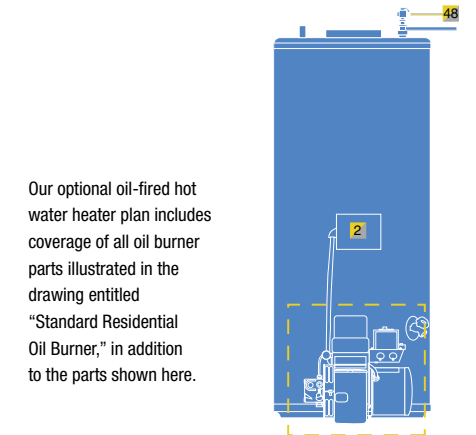


Standard Residential Indirect Hot Water Heater

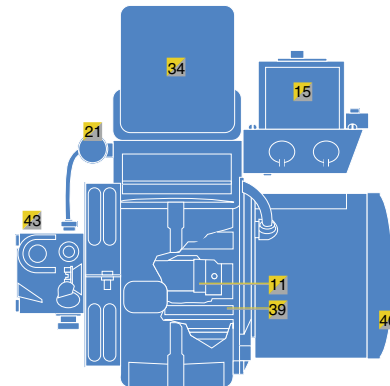
Standard Residential Heating Boiler



Standard Residential Warm Air Furnace



Standard Residential Oil-Fired Hot Water Heater



Standard Residential Oil Burner